

Barion Heart - Transplant

by Shifter55

Angles for R.I. = 1.540

95 + 17 girdles = 112 facets

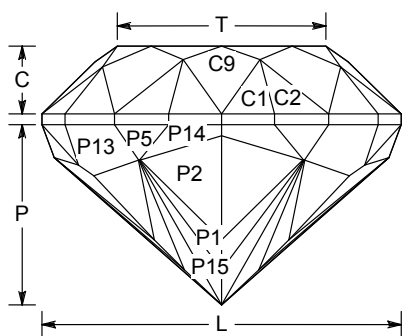
6-fold, mirror-image symmetry

96 index

L/W = 1.001 T/W = 0.580 U/W = 0.560

P/W = 0.502 C/W = 0.189

Vol./W³ = 0.270



PAVILION

P1	42.22°	05-11-21-27-37-43-53-59-69-75-85-91	Cut to CTP
P2	43.50°	04-12-20-28-36-44-52-60-68-76-84-92	Cut to CTP, Establishes stone size
P3	70.85°	25-71	Meet P1,P2
P4	75.65°	42-54	Meet P1,P2. Upper lobe barion sequence
P5	80.87°	09-87	Meet P1,P2. Lower lobe barion sequence
P6	66.89°	45-51	Meet P1,P4. Upper lobe barion sequence
P7	81.35°	48	Meet P4,P6. Defines top of heart
P8	65.25°	37-59	Meet P1,P4. Upper lobe barion sequence
P9	59.78°	36-60	Meet P4,P8. Upper lobe barion sequence
P10	73.33°	31-65	Meet P2,P8. Upper lobe barion sequence
P11	64.57°	19-77	Meet P1,P3. Upper lobe barion sequence
P12	69.12°	18-78	Meet P3,P11. Upper lobe barion sequence
P13	69.17°	14-82	Meet P2,P11,P12. Lower lobe barion sequence
P14	73.17°	07-89	Meet P1,P2,P5. Lower lobe barion sequence
G1	90.00°	07-89	Level Girdle
G2	90.00°	09-87	
G3	90.00°	14-82	
G4	90.00°	18-78	
G5	90.00°	25-71	
G6	90.00°	31-65	
G7	90.00°	37-59	
G8	90.00°	42-54	
G9	90.00°	48	
P15	41.59°	06-10-22-26-38-42-54-58-70-74-86-90	Meet P1,P2. Gently rub in while prepolishing

CROWN

C1	48.63°	07-89	Establish girdle width
C2	49.46°	09-87	Level girdle
C3	46.03°	14-82	
C4	46.60°	18-78	
C5	45.87°	25-71	
C6	44.82°	31-65	
C7	48.24°	37-59	
C8	48.62°	42-54	
C9	36.94°	96	Meet C1,C2
C10	43.00°	13-83	Meet C1,C2 C3,C4
C11	41.28°	21-75	Meet C3,C4 C5,C6
C12	42.30°	32-64	Meet C5,C6 C7,C8
C13	43.88°	45-51	Meet C7,C8
C14	21.20°	08-88	Meet C1,C2.
T	0.00°	Table	Cut this after C14 to provide confirmation that other star facets are level.
C15	31.47°	17-79	Meet C14 C3,C4
C16	30.27°	28-68	Meet C15 C5,C6
C17	27.36°	37-59	Meet C16 C7,C8
C18	34.25°	48	Meet C17. Takes up the slack from errors in star facets
C19	50.77°	48	Meet C18, Level girdle. Angle is dependent on C18

This is a barion version of my Arrow Heart. While the crown will still require patience and careful adjustment, the pavillion should be much faster and easier to cut in a smaller stone.

Split Mains variant for better performance in RIs under 1.65

C:\Users\Shifter55\Files\My Gem Designs\Own Designs\Droplet\BarionHeartSplitChevron.gem